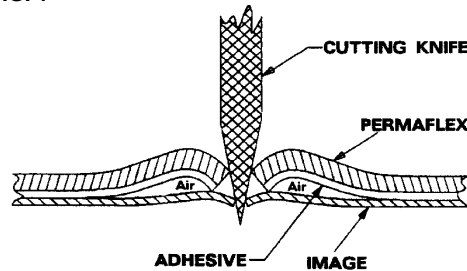


Trimming PermaFlex® Laminated Images

When traditional trimming techniques are used on images laminated with PermaFlex, a separation between the laminate and the image may occur along the trimmed edge, as demonstrated in the image below.

FIG. 1



This separation is a direct result of cutting straight down through the laminated image on a solid surface. The degree of severity is directly influenced by additional factors such as a thick or dull blade, soft or hard cutting surface and time span between lamination and cutting.

RECOMMENDATION:

Three trimming techniques have been developed that eliminates this tendency towards edge separation:

- 1) Rotary blade cutting
- 2) Slot cutting
- 3) 45° Angled cuts with mat cutters

The most effective of the three is the *rotary blade*. As indicated by the name, a round cutting blade rolls along pinching the laminated image between either a second rotary blade or a flat sharp edge. In either case this “shear” scissors like cut results in a nice straight edge with no sign of edge separation.

FIG. 2

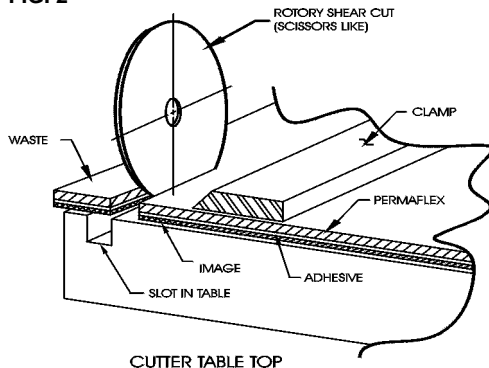
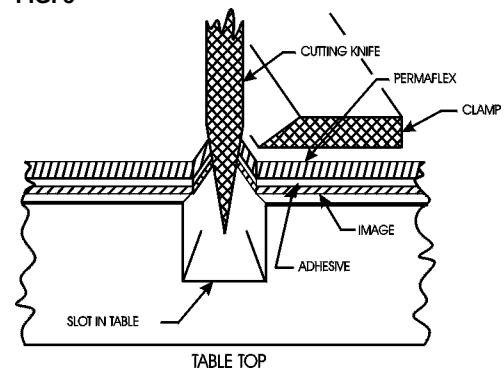


FIG. 3



The second technique requires a slot built into your tabletop. Clamp your laminated image to the table using the slot as your straight edge. Using a utility knife, insert the tip of the blade into the slot ahead of the image and cut back through the laminated image using the slot as a guide. This ‘slicing’ action on the image, versus cutting down into the image, results in a clean straight cut with no edge lifting.

The third option that also provides excellent results, utilizes a 45° angle cut with a mat cutter, as illustrated in figures 4 and 5. The direction of the angle chosen depends upon the aesthetic appearance

desired. **CAUTION: This cut results in a very sharp edge on the graphics and sturdy gloves are recommended to prevent injuries.** When using multiple imaged panels to form one large image, the 45° angle trimming technique can be used to form extremely clean, undetectable lap joints. As illustrated below, the edge of one image is cut at a 45° angle in one direction and the adjoining image is cut at a 45° angle in the opposite direction. This then provides a precise overlap joint

FIG. 4

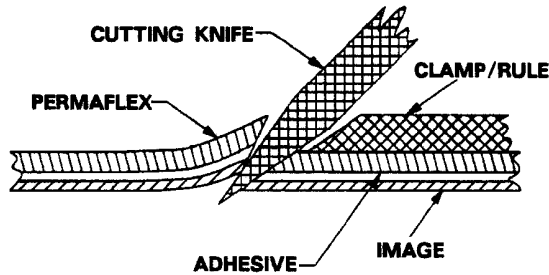
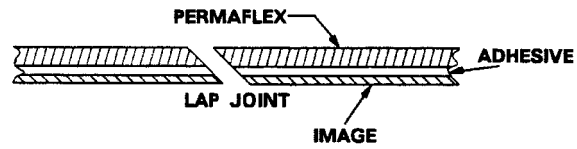


FIG. 5



ADDITIONAL SUGGESTION:

In order to optimize all three procedures, it is highly recommended that sharp blades be used and, whenever possible, the laminate bond be allowed to build (24 hr.) prior to cutting.

Equipment is readily available for trimming with a rotary knife, slot cuts and 45° angle cuts. Building a slot into a tabletop is relatively easy and inexpensive.

The following are two distributors of *shear type* rotary knife cutting equipment:

Rolma Cutters distributed by: Photographic Supplies (800) 245-6715

RotaTrim® distributed by: Abco Office Solutions (800) 658-8788

The following is a manufacturer of Compression Cutting Knife:

ICD International, Mooers, NY (800) 779-7810

The following are manufacturers of mat cutting equipment:

Neilsen & Bainbridge, Cranberry, NJ (800) 631-5414

Logan Graphic Products, Inc., Wauconda, IL (800) 331-6232

® RotaTrim® is a registered Trademark for the Division of the Saunders Group.

IMPORTANT NOTICE: The information given and the recommendations made herein are based on our research and are believed to be accurate, but no guarantee of their accuracy or completeness is made. In every case, user shall determine before using any product in full scale production, or in any way, whether such product is suitable for user's intended use for their particular purpose under their own operating conditions. User assumes all risk and liability whatsoever in connection with their use of any product. The products discussed herein are sold without any warranty as to merchantability or fitness for a particular purpose, or any other warranty, express or implied. No representative of ours has any authority to waive or change the foregoing provisions, and no statement or recommendation not contained herein shall have any force of effect unless in an agreement signed by the officers of seller and manufacturer. Nothing contained herein shall be construed to imply the nonexistence of any relevant patents or to constitute a permission, inducement or recommendation to practice any invention covered by any patent without authority from the owner of the patent. The following is made in lieu of all warranties, express or implied: Seller's and manufacturer's only obligation shall be to replace or credit such quantity of the product proved to be defective at its discretion.

™ Trademark of Morgan Adhesives Company LLC
 ® Registered Trademark of Morgan Adhesives Company LLC
 www.Mactac.com



www.digitalcolorink.com
 Office: 301-937-8772
 Toll: 877-616-8600